

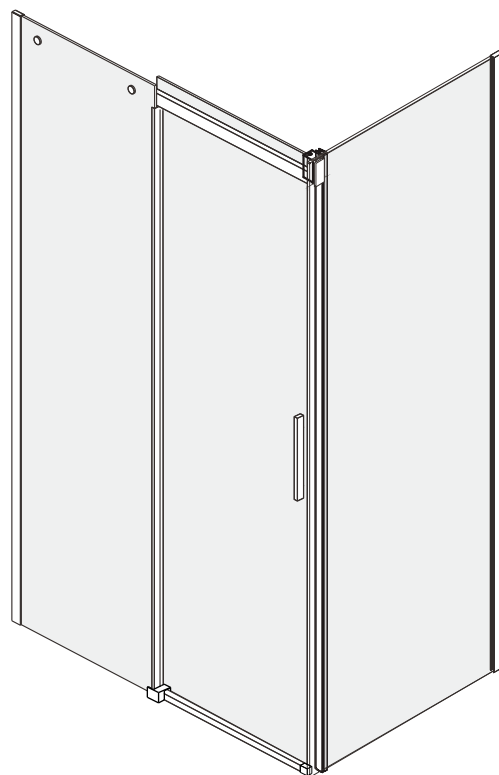
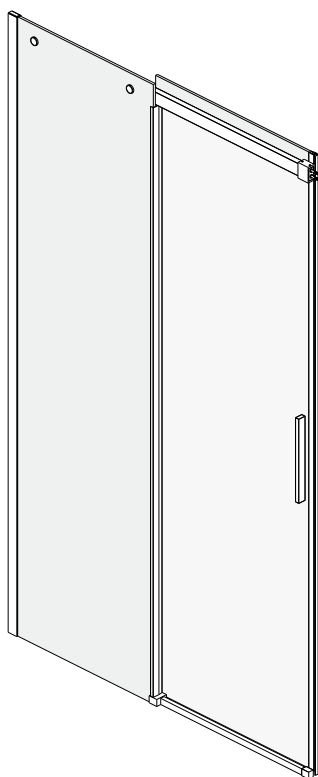
USER MANUAL



Thank you for choosing Better Bathrooms.
Please read this manual before installing your product
and keep for future reference.

**better
bathrooms**

PRODUCT NAME-AQUILA FRAMELESS SLIDING DOOR & RETURN PANEL
PRODUCT CODE-BEBA_27251~BEBA_27272
BEBA_27987~BEBA_27994



- **Multi or Single-person assembly**
- **Tools required**
- **We always recommend using professional tradespeople to install your product**

Congratulations on your purchase

And welcome to our growing gang of savvy shoppers

We're on a mission to bring you extraordinary bathroom products, for less. From modern to traditional style ceramics, plus the gorgeous fixtures, fittings and furniture to match. So, you can fall in love with your space every single day.

As one of the UK's largest independent bathroom stores, we've received countless awards; including the National Business Awards UK, the Digital Entrepreneur Awards and being placed on The Sunday Times Fast Track 100.

We hope your new product goes above and beyond your expectations. However, should any problems occur, please:

- log in to your account and contact our customer services team via your self-serve portal – betterbathrooms.com/CustomerAccount/Login
- contact us via betterbathrooms.com/content/contact-us

Important information

- Please read these instructions thoroughly and retain for future reference
- Always check for pipes and cables before drilling

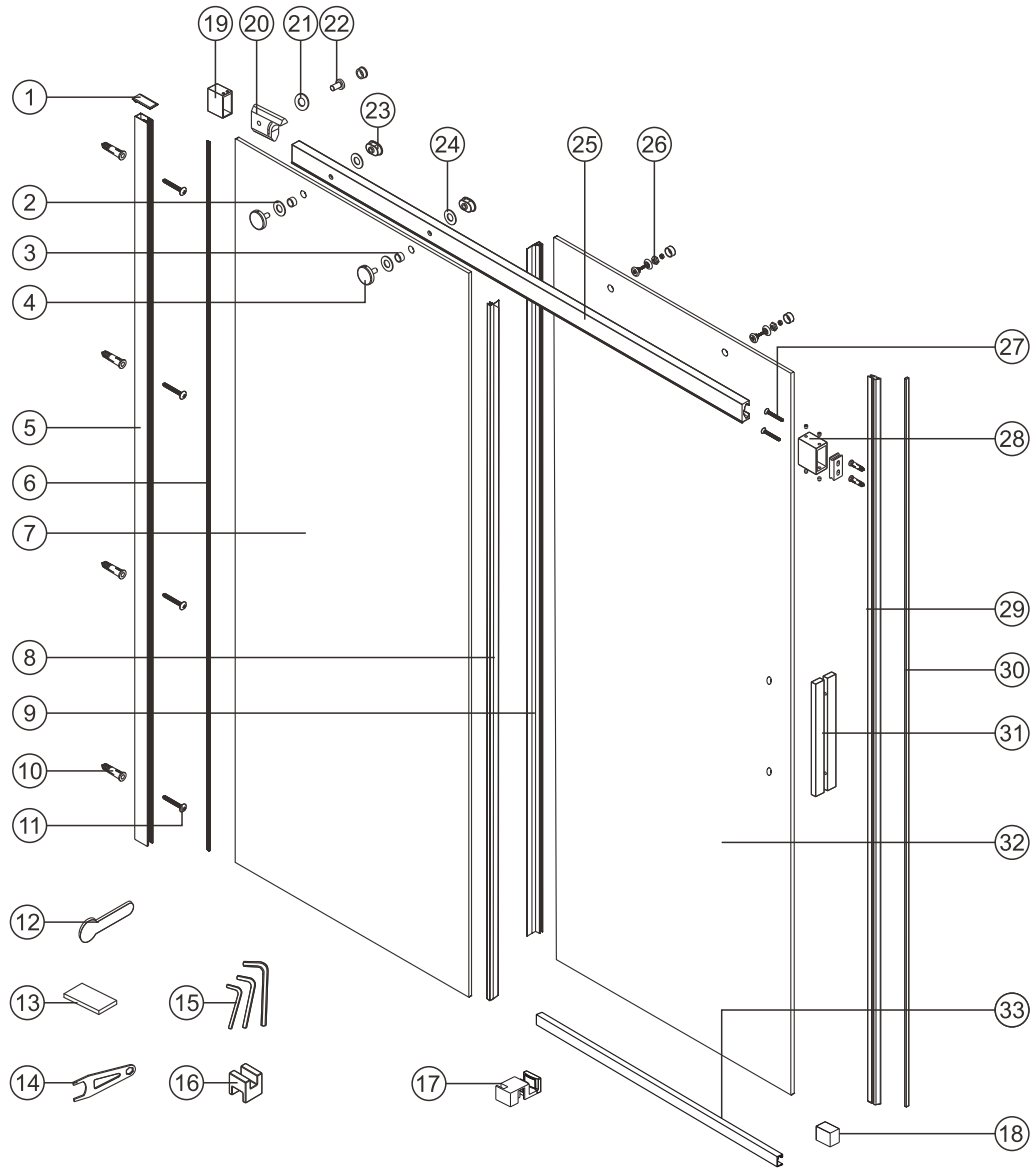
CAUTION

- To prevent leaks, silicone must be applied on the outside of the shower and not on the inside
- Read all instruction carefully before starting the installation
- Save this manual for future reference

Contents

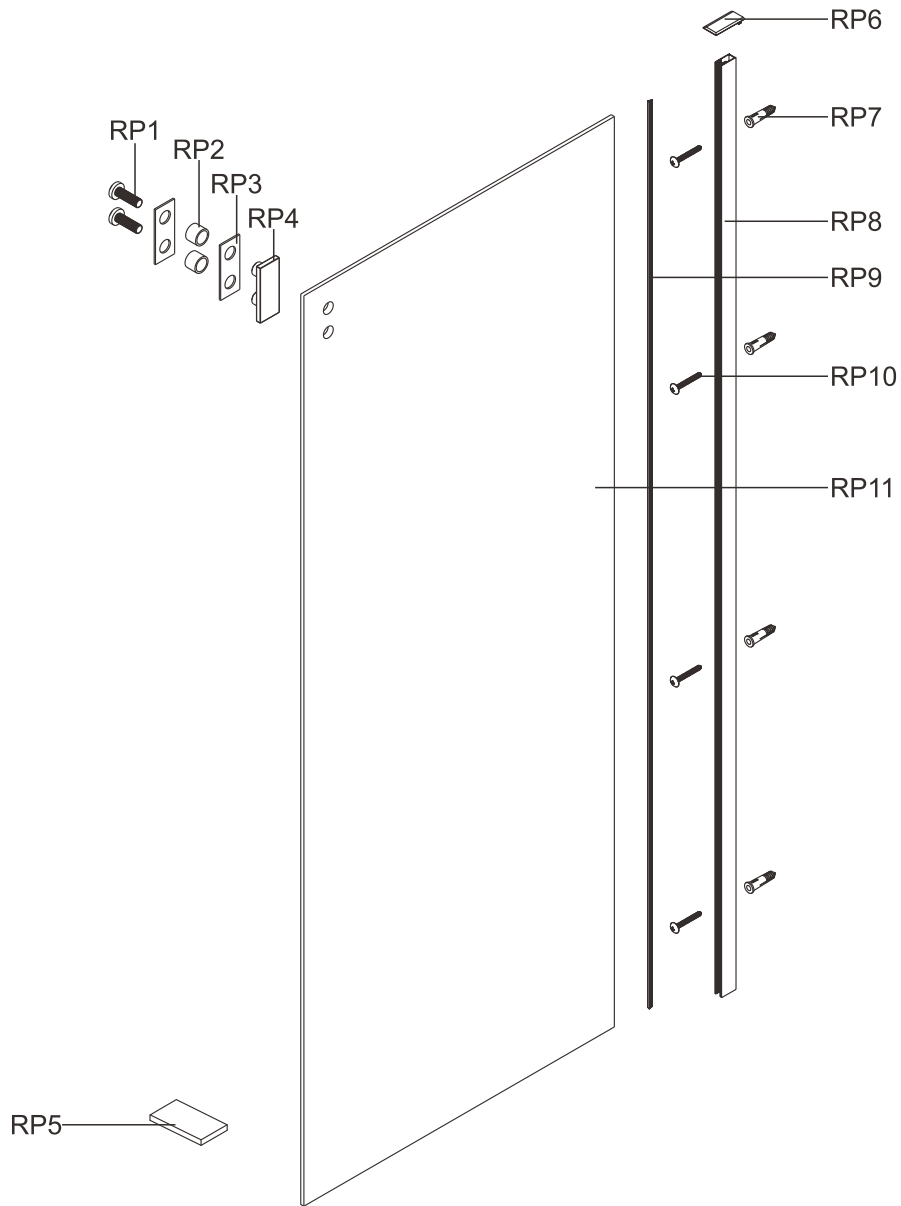
- PART LIST-----	PAGE 04-05
- PREPARATION & TOOL REQUIRED-----	PAGE 06
- INSTALLATION-----	PAGE 07
- CONTINUE-----	PAGE 08

PARTS LIST



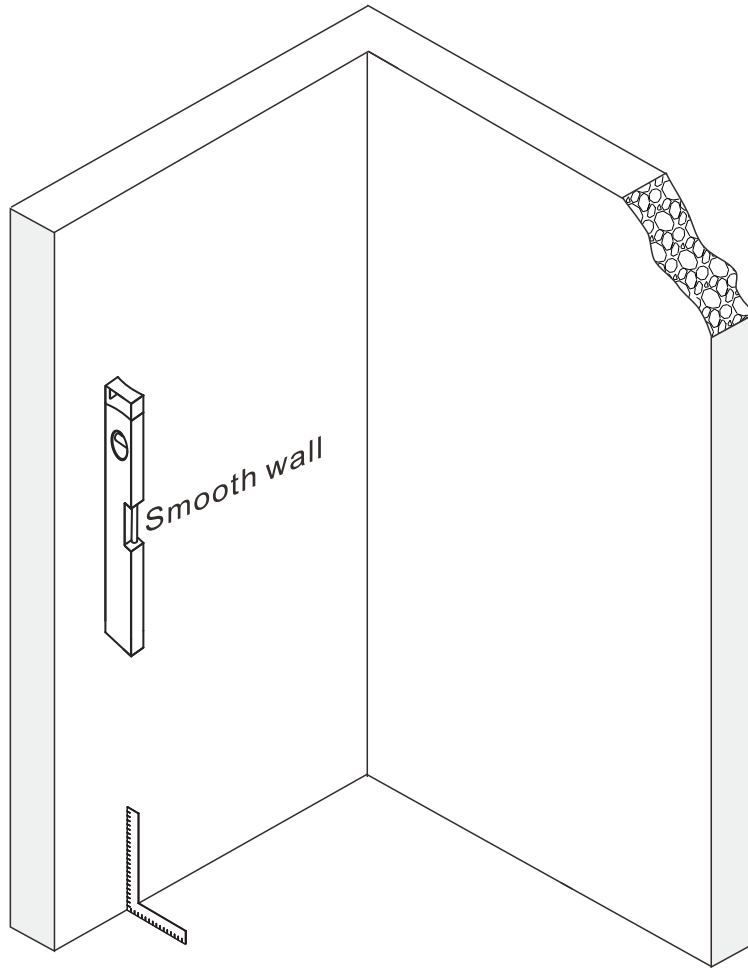
NO	Qty	Description	NO	Qty	Description
1	1	Channel cap extrusion	18	1	Plastic part for threshold
2	2	Spacer	19	1	Cap for rolling bar
3	2	Glass washer	20	2	Roller bumper
4	2	Fixed panel screw	21	1	Spacer
5	1	Wall Channel	22	1	Screw ST4X8
6	1	Squeeze gasket	23	2	Bar nut for fix panel
7	1	Clear Fixed panel	24	2	Spacer
8	1	Gasket for fixed panel	25	1	Rolling bar
9	1	Gasket for Door panel	26	2	Roller kit
10	6	Wall anchor	27	2	Screw ST4X40
11	4	Screw ST4X40	28	1	Wall bracket for rolling bar
12	1	Squeeze gasket tool	29	1	Magnet B
13	5	Glass wedge spacer	30	1	Magnet A
14	2	Roller wrench tool	31	1	Handle
15	3	Allan key kit	32	1	Clear Door
16	2	Installation tool	33	1	Back splash
17	1	Door guide			

PARTS LIST

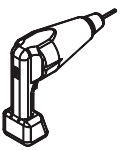


NO	Qty	Description	NO	Qty	Description
RP1	2	Screw M5X14	RP7	4	Wall anchor
RP2	2	Sleeve	RP8	1	Wall Channel
RP3	2	Gasket	RP9	1	Squeeze gasket
RP4	1	Cap for glass	RP10	4	Screw ST4X40
RP5	5	Glass Wedge spacer	RP11	1	Clear Return panel
RP6	1	Channel cap extrusion			

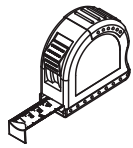
Preparation



Tools required



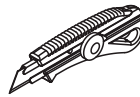
DRILL



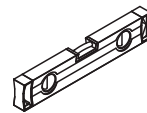
MEASURING TAPE



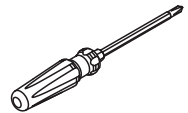
SILICONE



PRECISION KNIFE



LEVEL



SCREWDR



MALLET



SET SQUARE



PENCIL



DRILL BITS: 1/8", 3/16" ET 1/4"
*MASONRY DRILL BIT

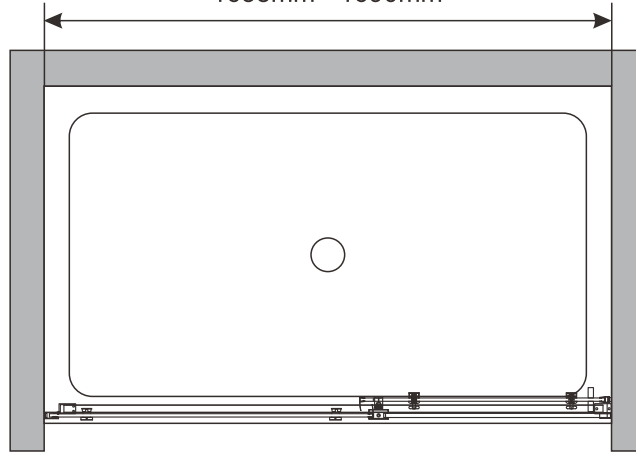


SCREWS

Installation

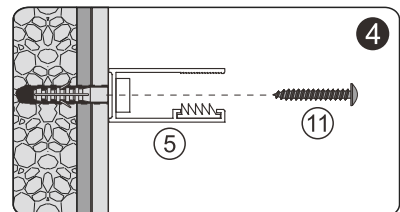
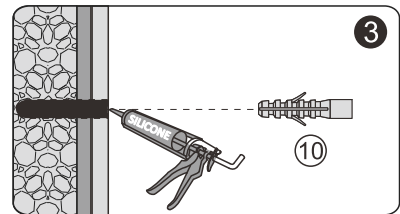
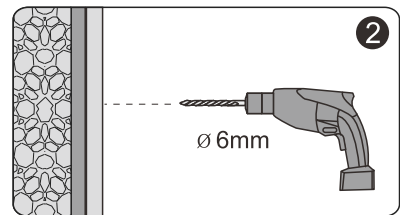
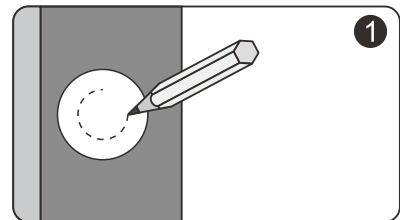
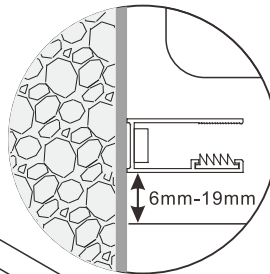
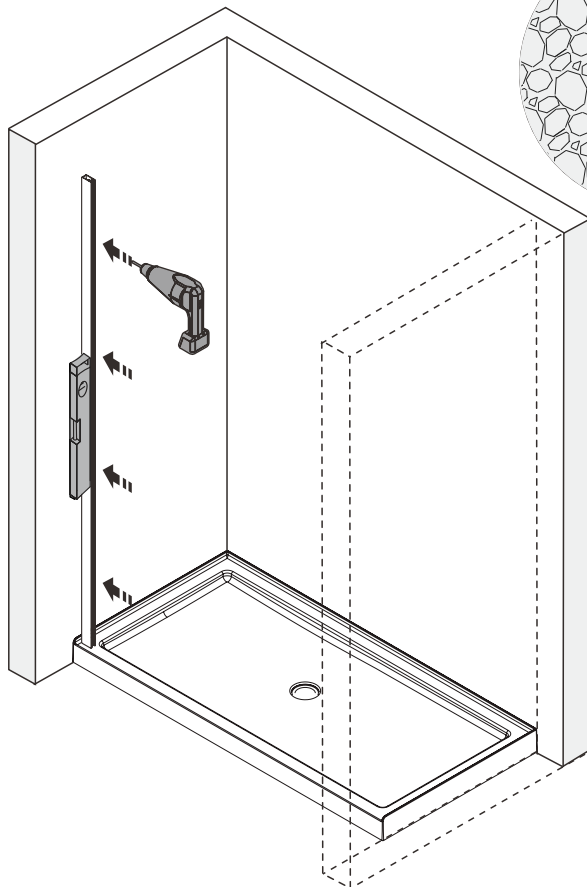
A 01

958mm - 990mm
1058mm - 1090mm
1158mm - 1190mm
1358mm - 1390mm
1458mm - 1490mm
1558mm - 1590mm
1658mm - 1690mm



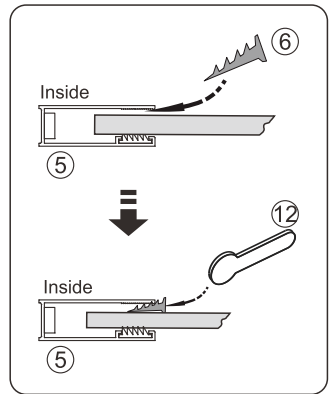
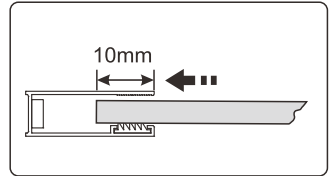
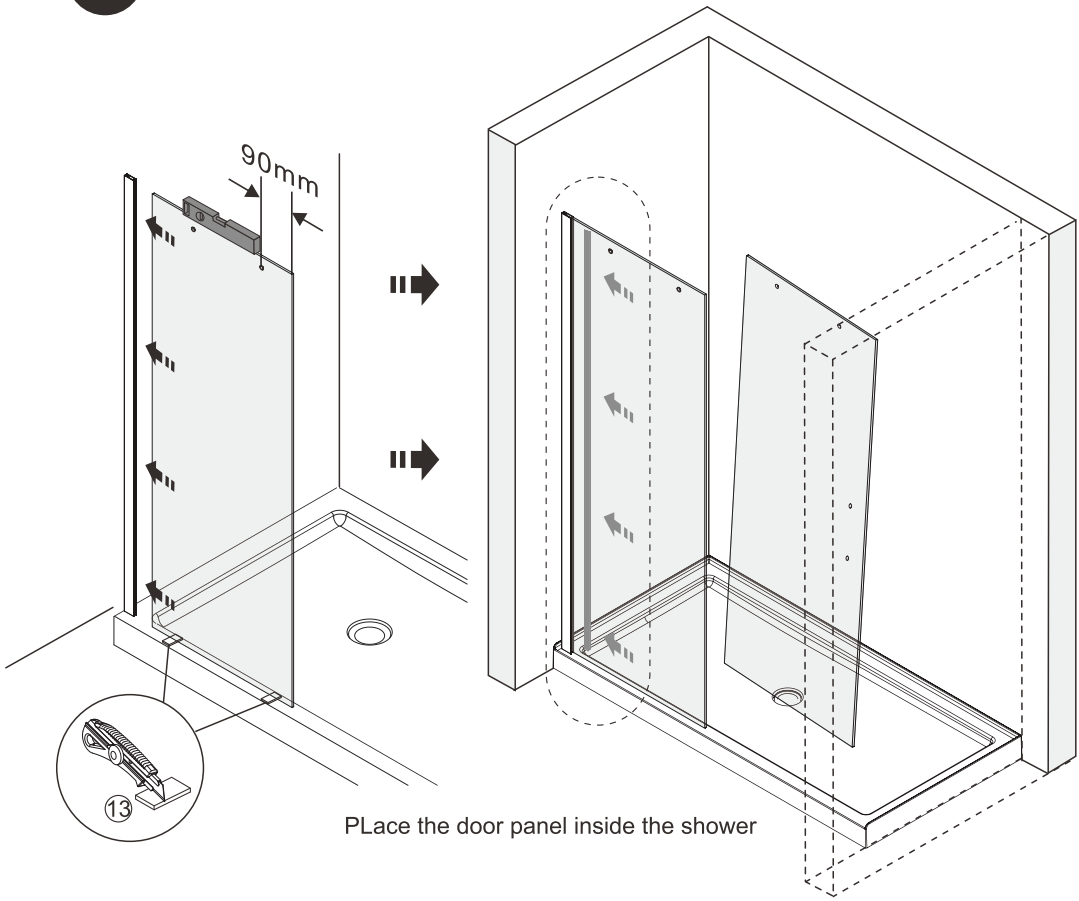
Continue

A 02



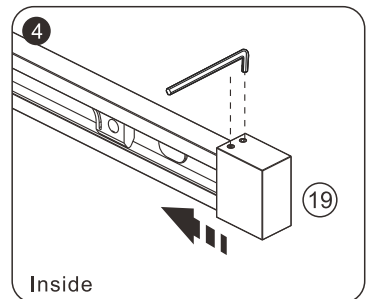
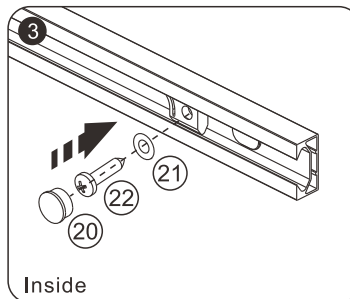
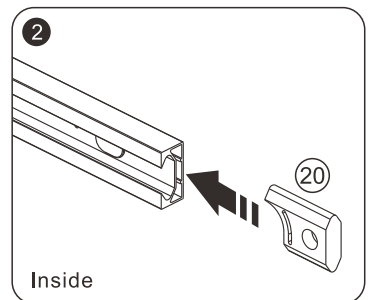
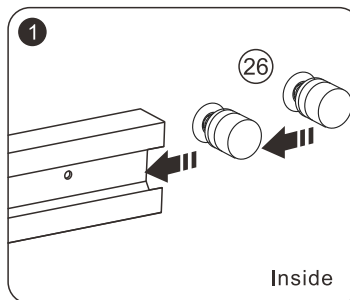
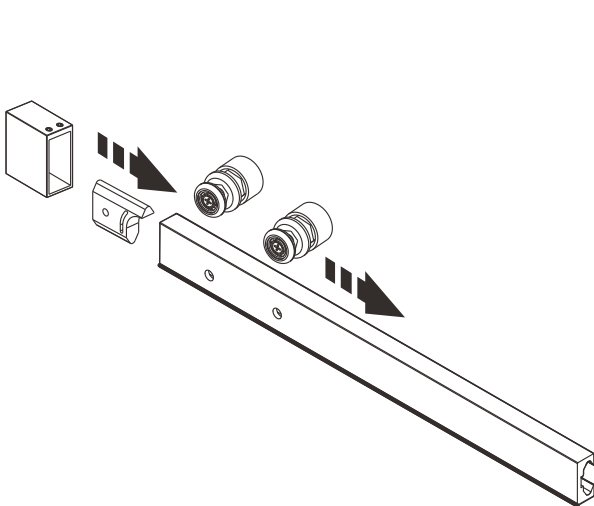
Continue

A 03



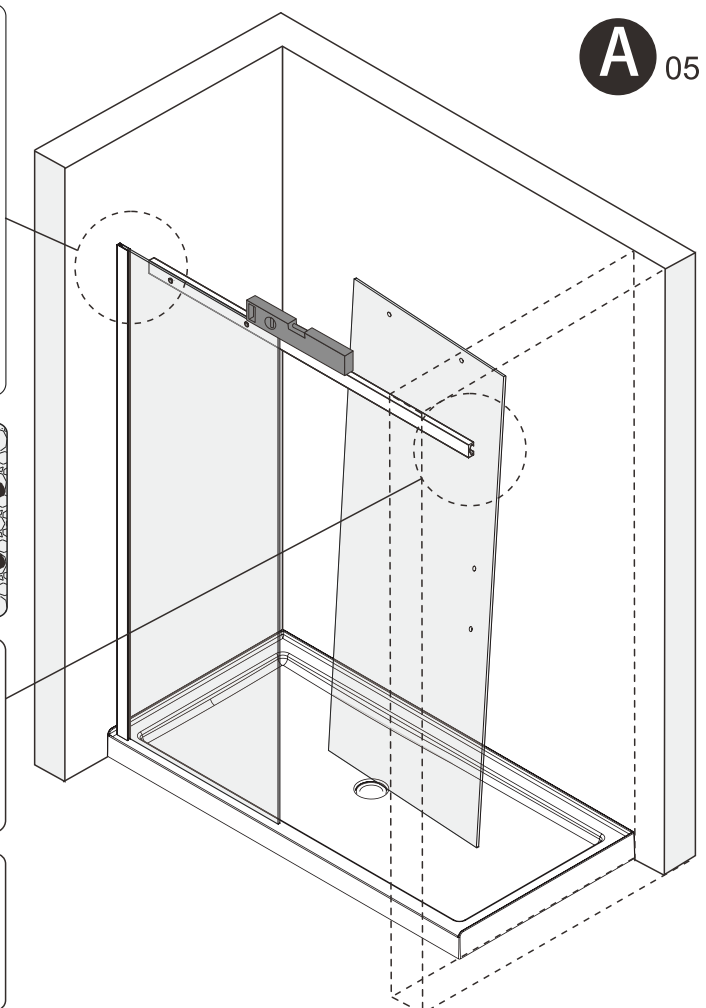
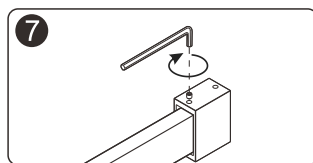
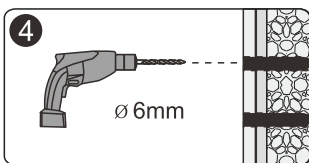
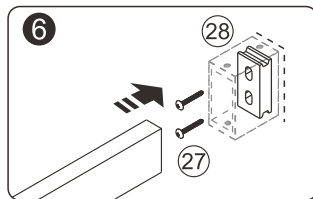
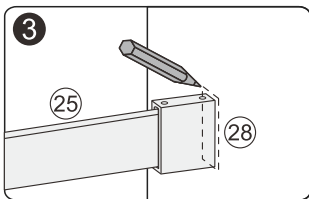
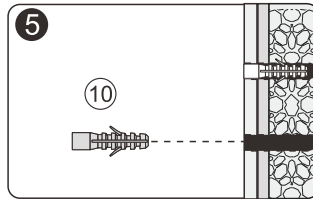
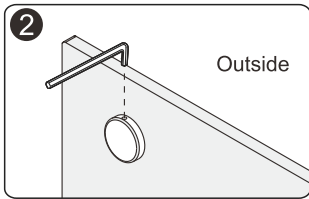
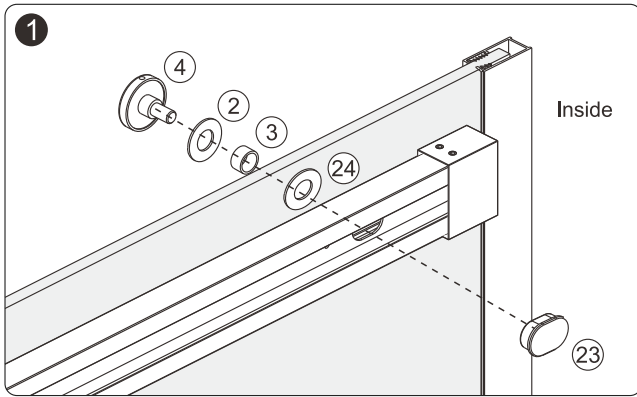
Continue

A 04



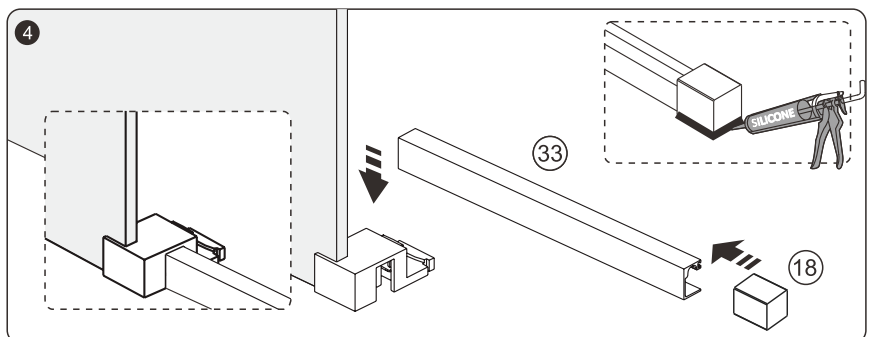
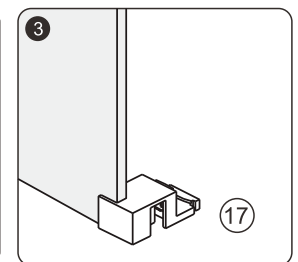
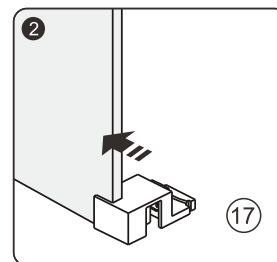
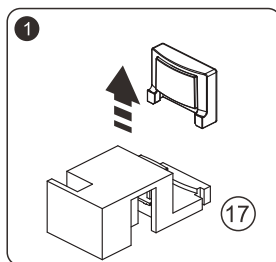
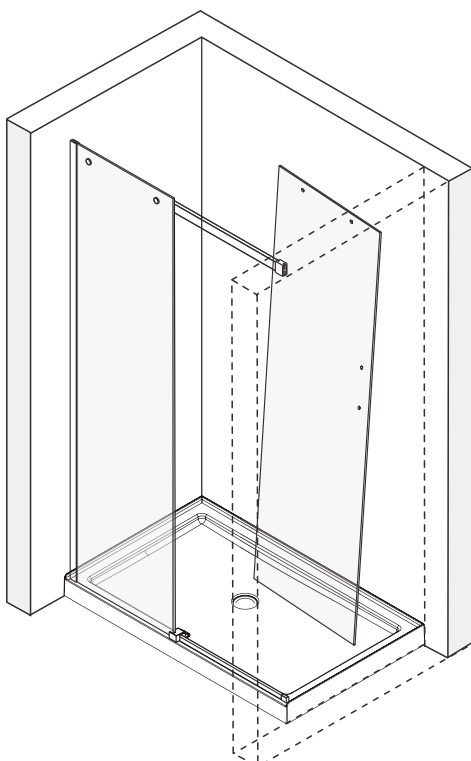
Continue

A 05



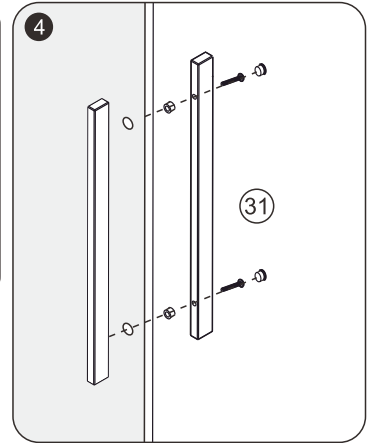
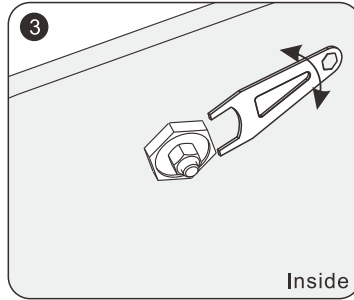
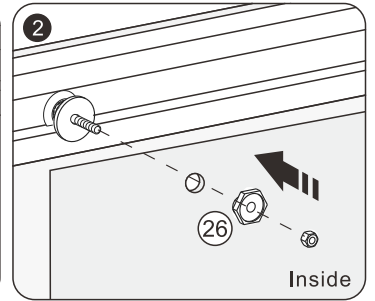
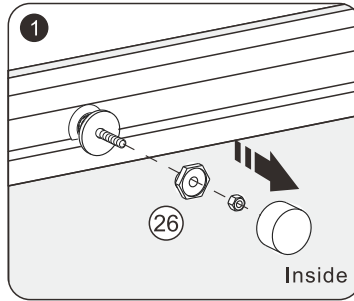
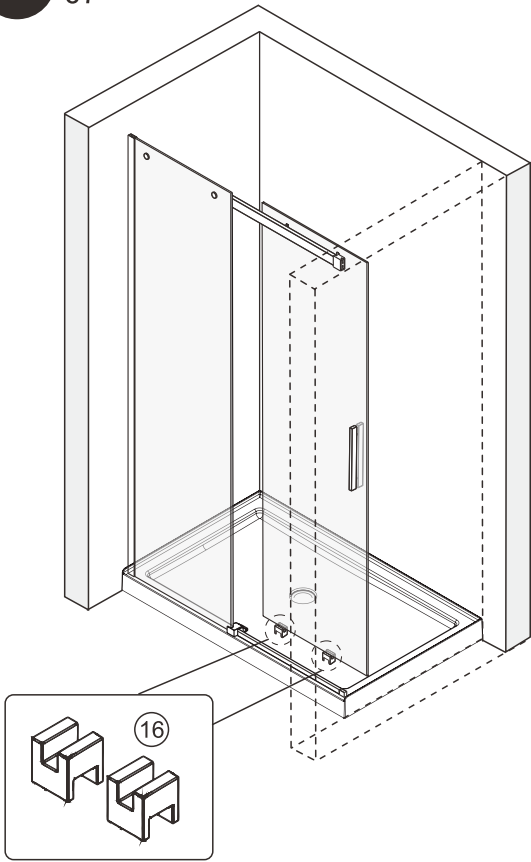
Continue

A 06



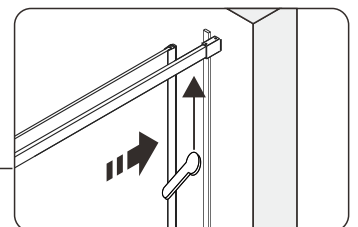
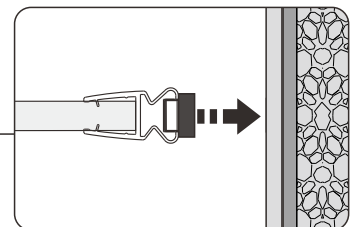
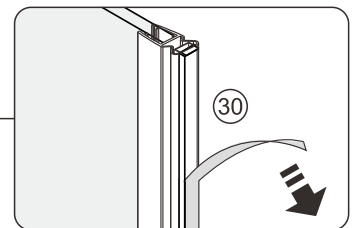
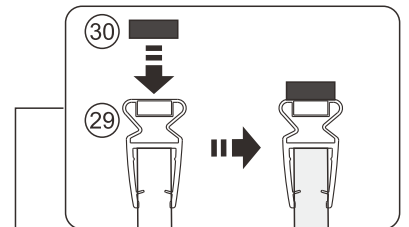
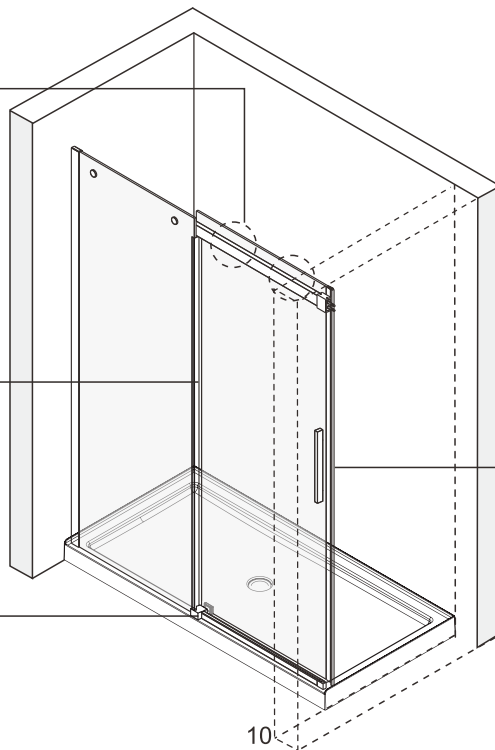
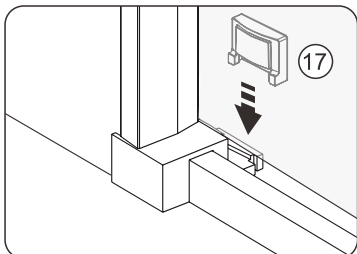
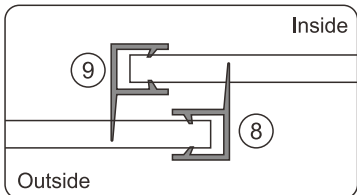
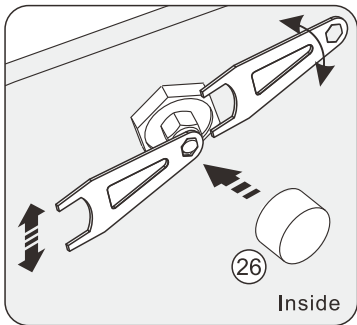
Continue

A 07

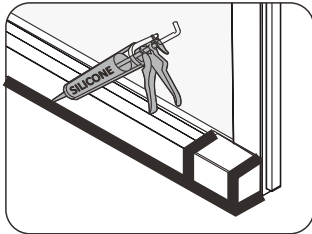
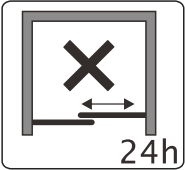
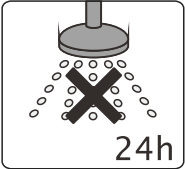
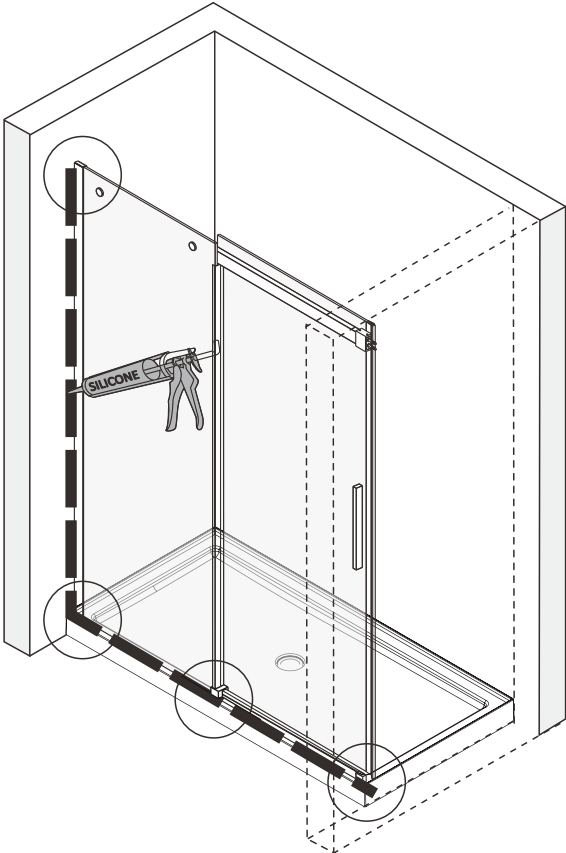
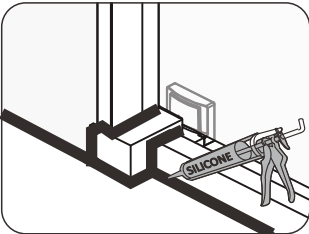
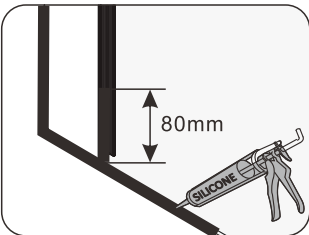
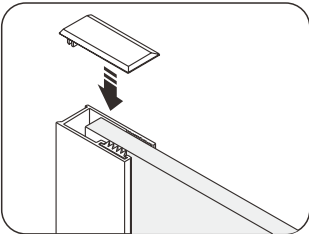


Continue

A 08

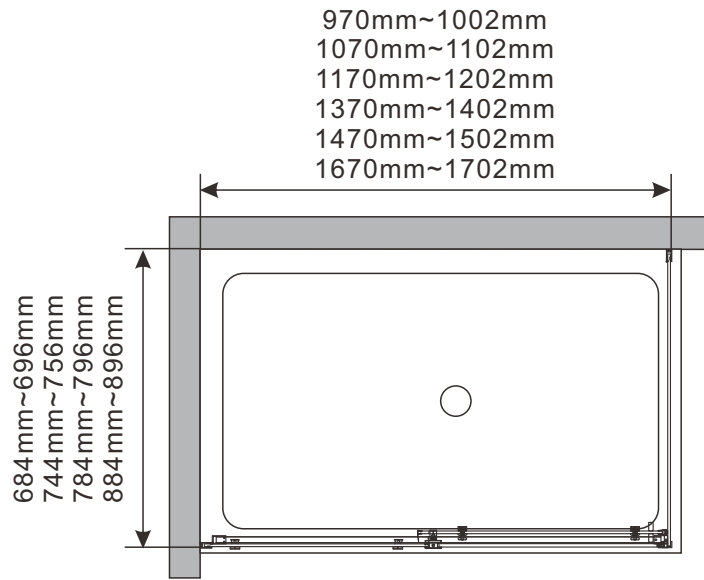


A 09



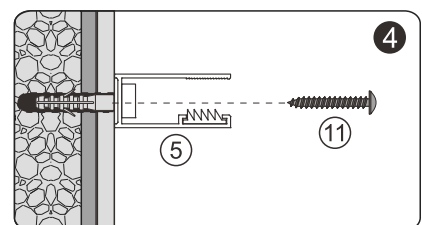
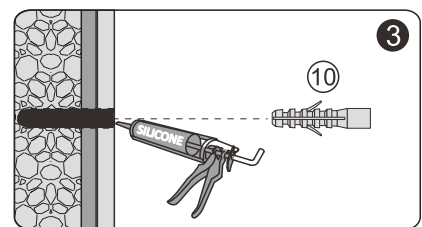
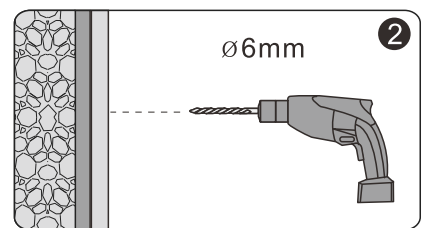
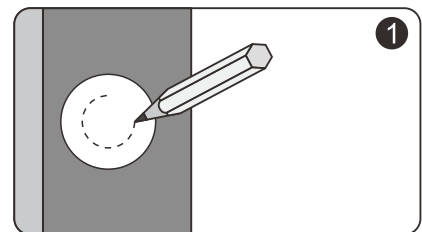
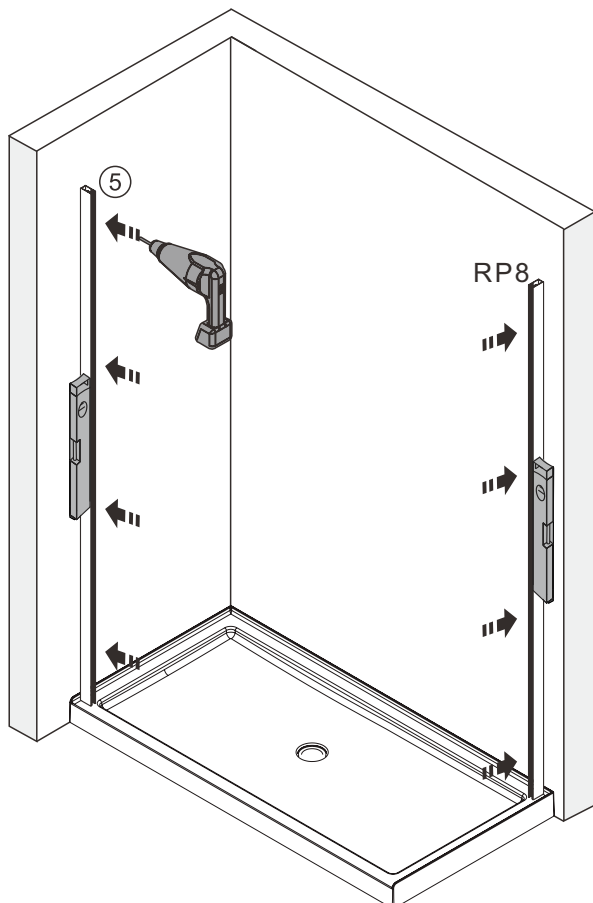
Installation

B 01



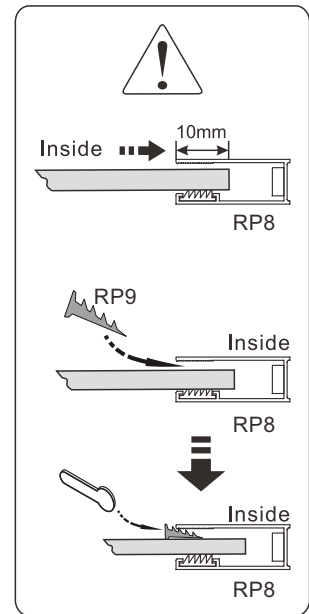
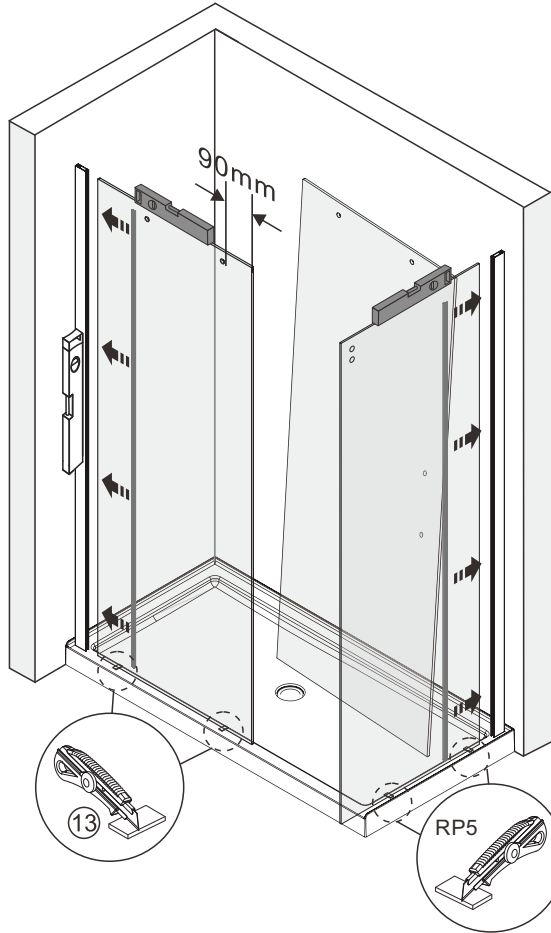
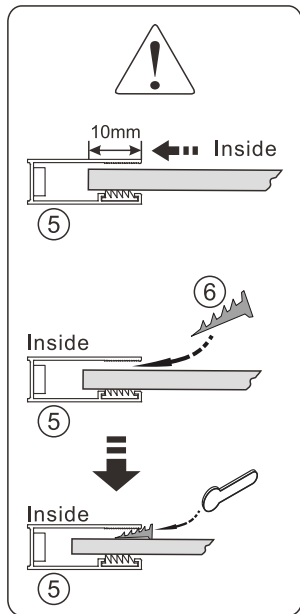
Continue

B 02



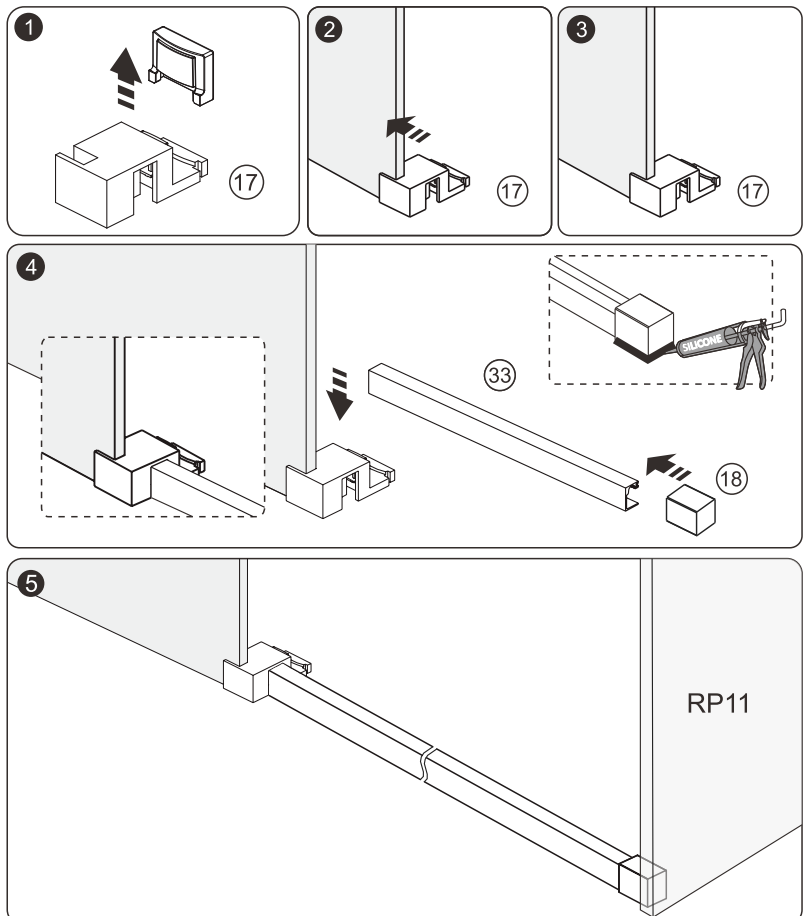
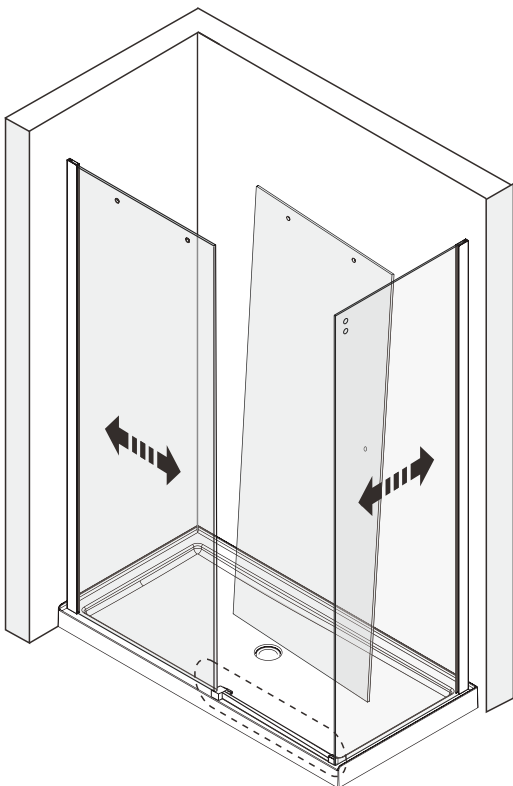
Continue

B 03



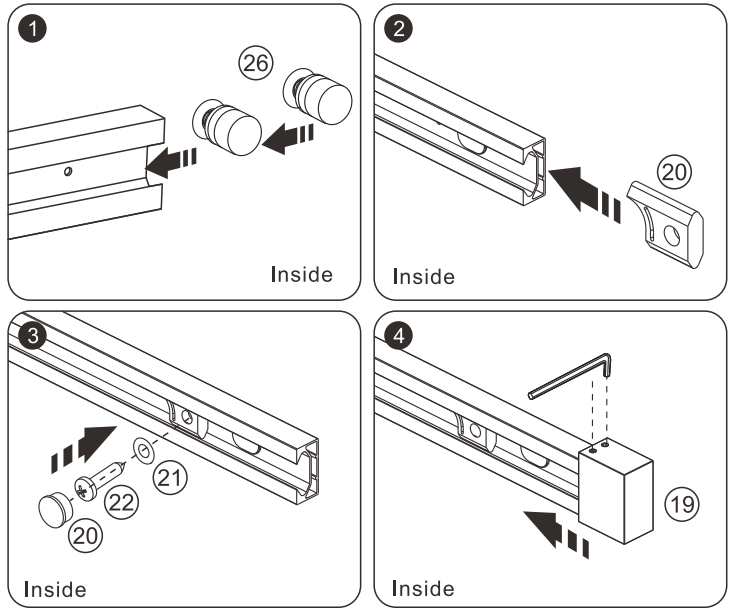
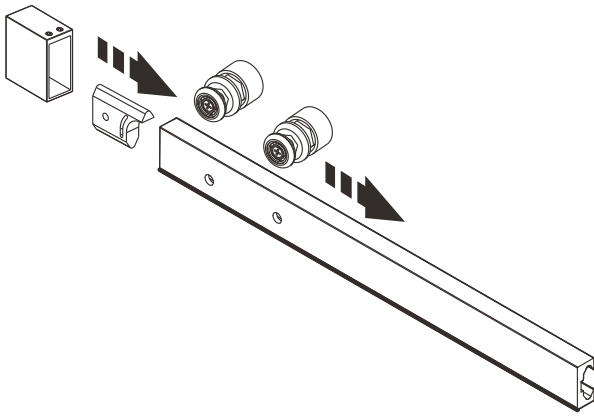
Continue

B 04



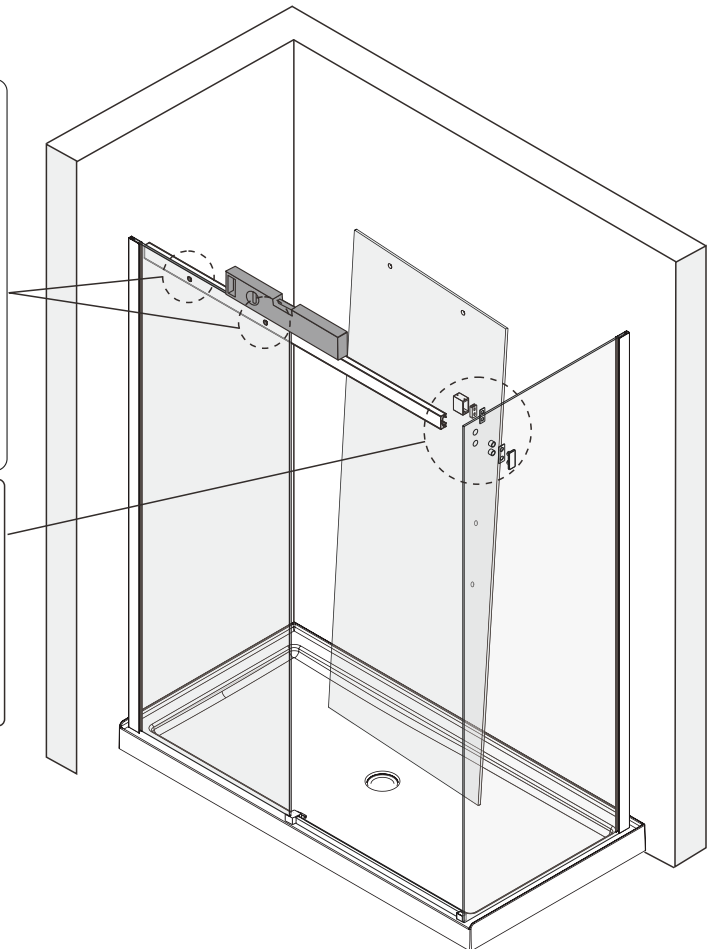
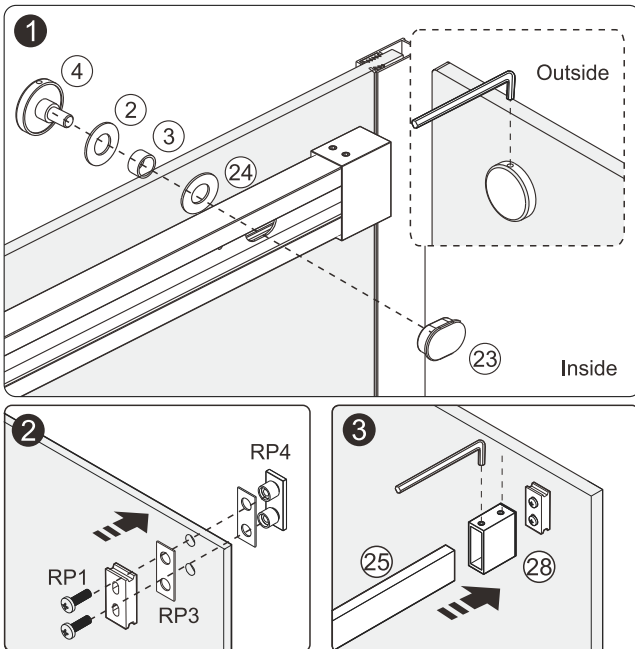
Continue

B 05



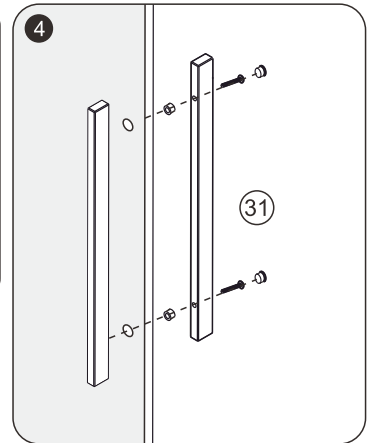
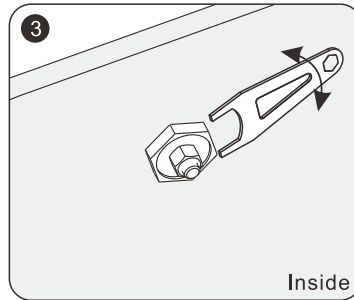
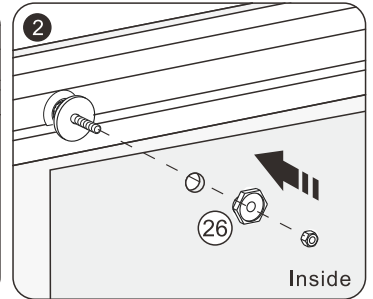
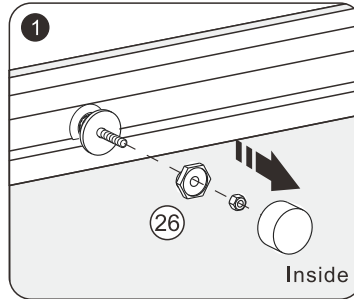
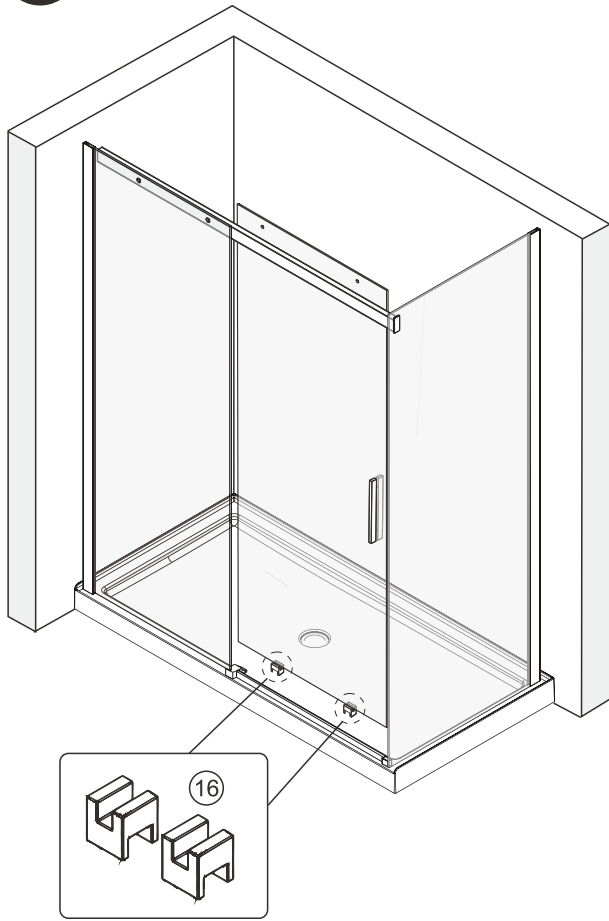
Continue

B 06



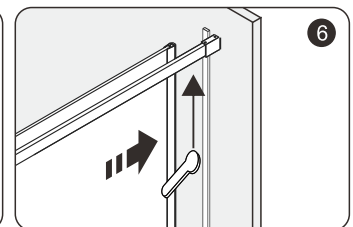
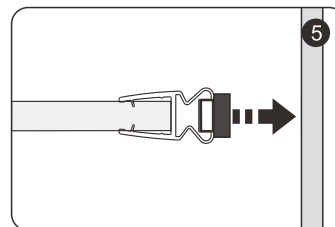
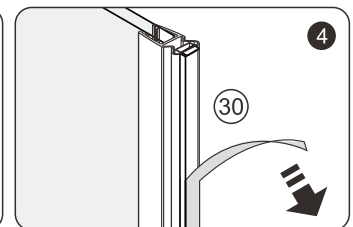
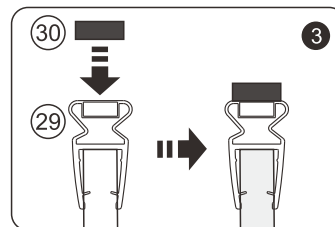
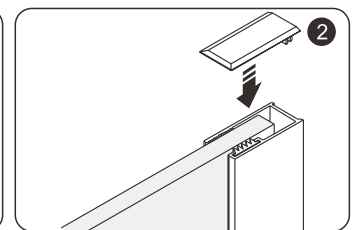
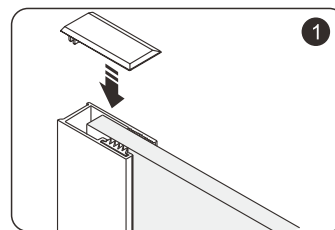
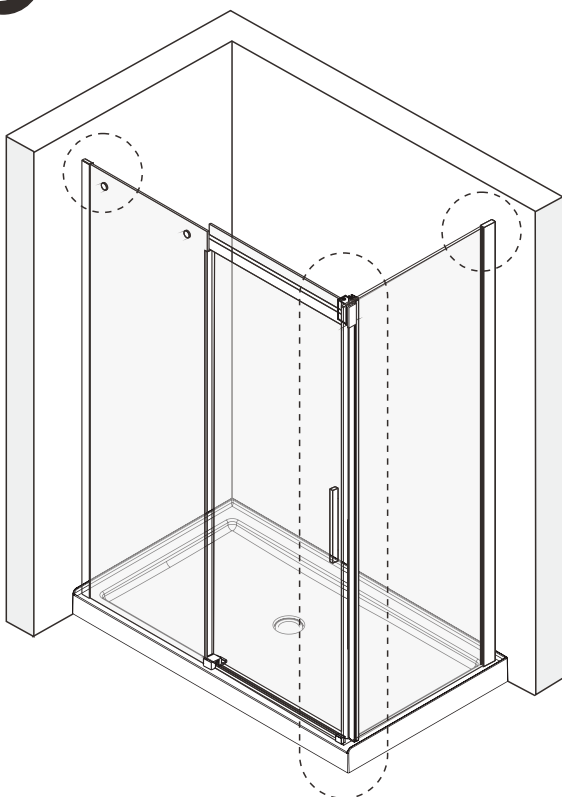
Continue

B 07



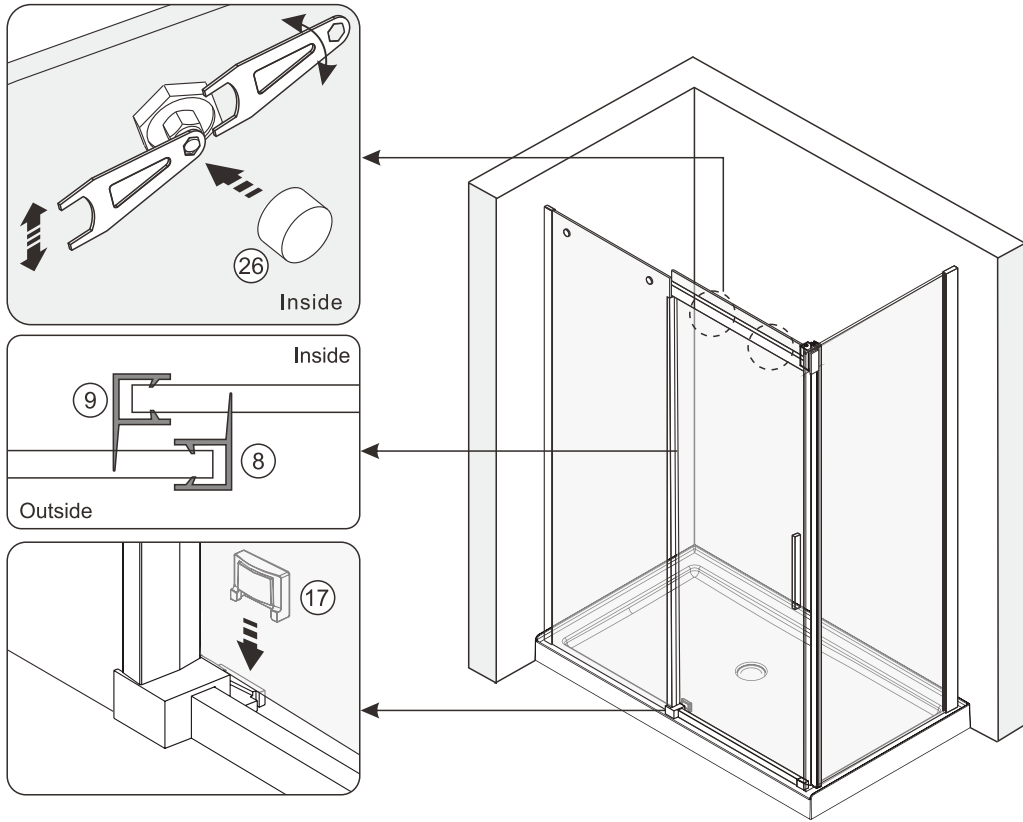
Continue

B 08



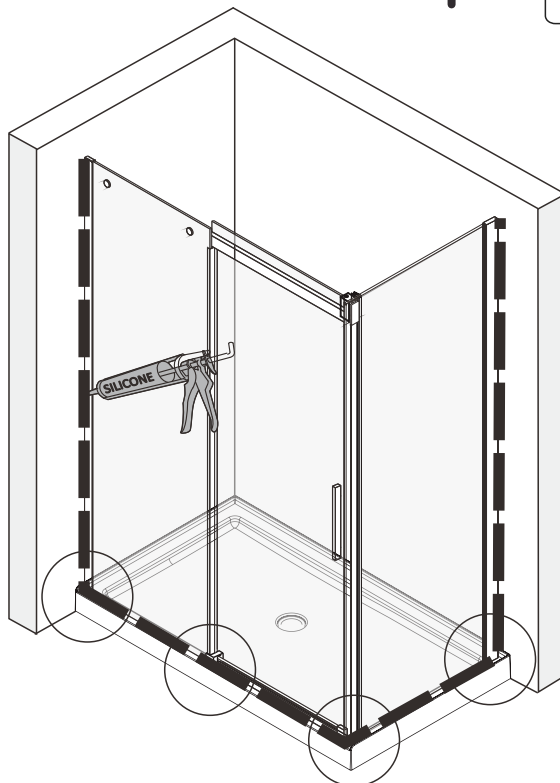
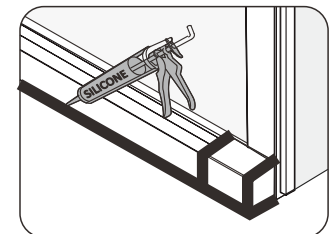
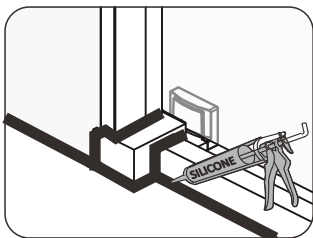
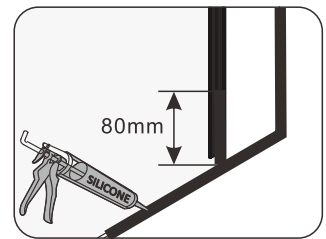
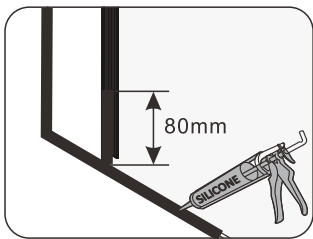
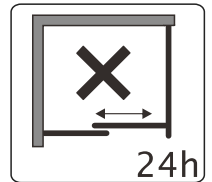
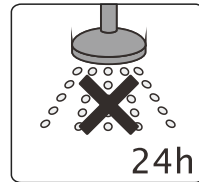
Continue

B 09



Continue

B 10



Maintenance & Cleaning

Use a PH-neutral cleaning agent to maintain and clean the surface of your product. Not to use alkaline, solvent, acid and chloric or scrubbing agents.

To maintain the surface of your product, wipe with a clean damp cloth and wipe dry, do not use any abrasive cleaning agents or materials. If any harsh chemicals come into contact with the surface of the product, rinse and wipe clean immediately.

For more information

- visit betterbathrooms.com
- email customerservices@buyitdirect.co.uk
- call 03303903062
- write to Trident Business Park, Neptune Way, Huddersfield, HD2 1UA

better 
bathrooms

Part of the BuyItDirect Group